

# QUICK SET-UP GUIDE

## 1. Phone Set-up

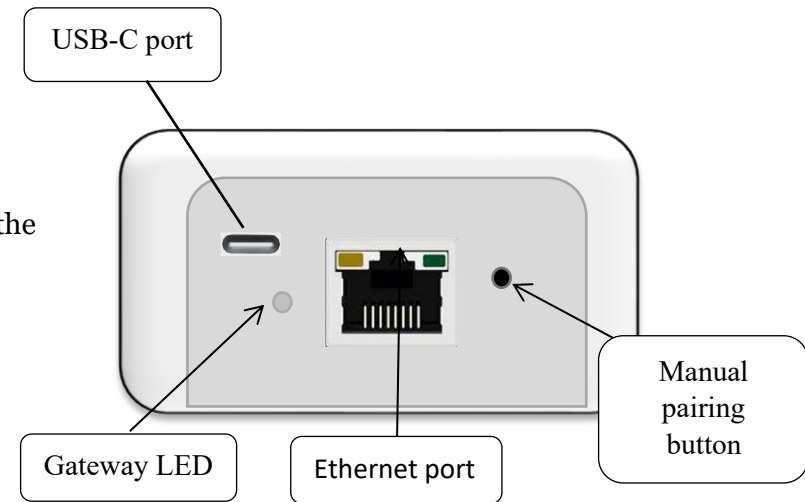
To begin configuring your Beta Unit, you will need to first install and set up an account on the Beta Version of our FloLogic App.

Please refer to the “Preparing Your Phone” document. Follow the instructions according to the operating system on your device.

## 2. Gateway & Z-Connect Set-up

When you finish your phone set-up you should have a registered, new account on the Test-Server in the FloLogic app.

If so, follow the steps below to set up your Beta Units.



---

## Gateway Installation (Beta)

---

### Gateway Installation Steps:

1. Place the gateway near your internet router.
2. Plug the USB-C power supply into the USB-C port and an outlet to power on the Gateway.
3. Connect the ethernet cable to the Gateway.
4. Take the other end of the ethernet cable and plug it into the router.

After completing these steps, the Gateway’s LED light will flash, cycling through colors as it comes online.

When finished, the LED light will show a solid green light, shown in Figure 1.



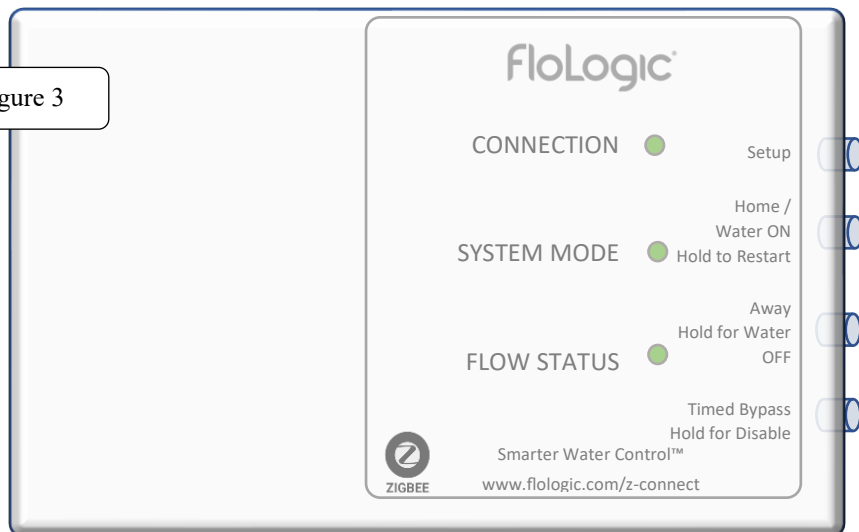
Figure 1

## Z-Connect Installation

Figure 2



Figure 3



To Control Panel

To Valve Port

### Z-Connect Installation Steps:

1. Unplug the black communication cable from the Control Panel. (Figure 2)
2. Plug the black communication cable into the Valve Port located at the bottom right of the Z-Connect. (Figure 3)
3. Then, take the 12" white cable, that was provided and plug one end into the Control Panel Port located at the bottom left of the Z-Connect. (Figure 3)
4. Take the other end of the 12" white telephone cable and plug it into the Control Panel (Figure 2), where the black communication cable was originally. A breakout tab is located on the back left panel to allow cable side access.

When you finish, the black communication cable should be plugged into the Z-Connect, leading into your Valve.

The white telephone cable should be plugged into the Z-Connect and the Control Panel, as shown in Figure 4.

Figure 4



### 3. Provisioning

After completing this step, please continue to please refer to the "Beta Provisioning Walkthrough" to finish the final step in the set-up process.